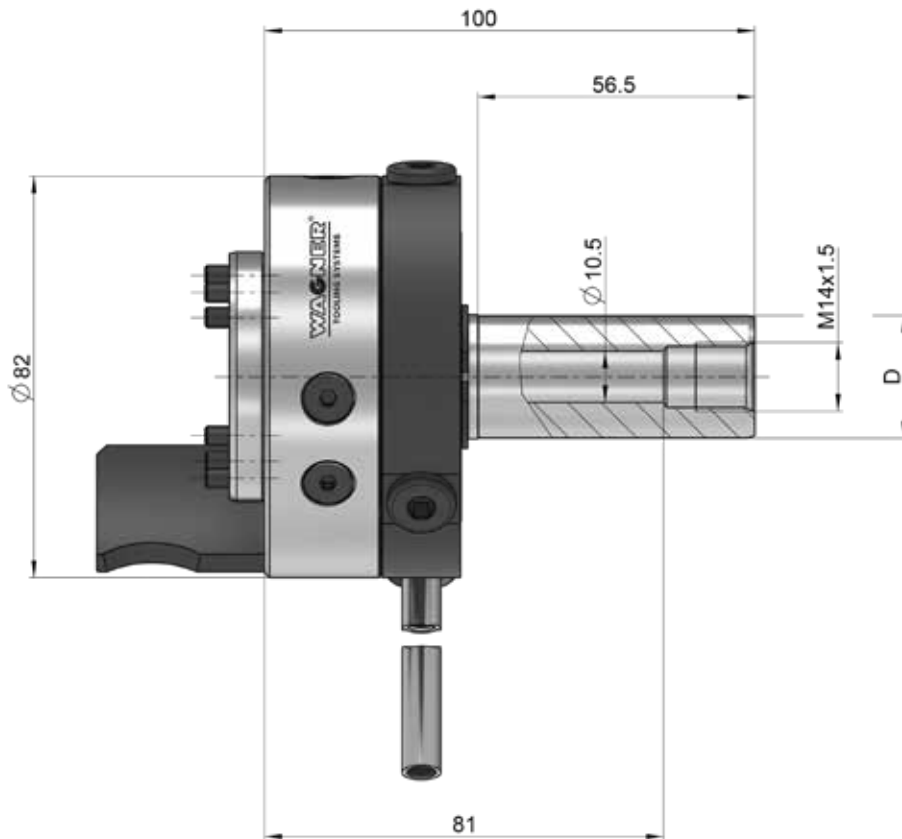


Closing device RS10

Type stationary



Shank- \varnothing D mm (inch)	Coolant Pressure (bar)	Weight (kg)
19.05 (3/4")	6–15	1.9
20	6–15	1.9
22	6–15	1.9
25	6–15	2.0
25.4	6–15	2.0